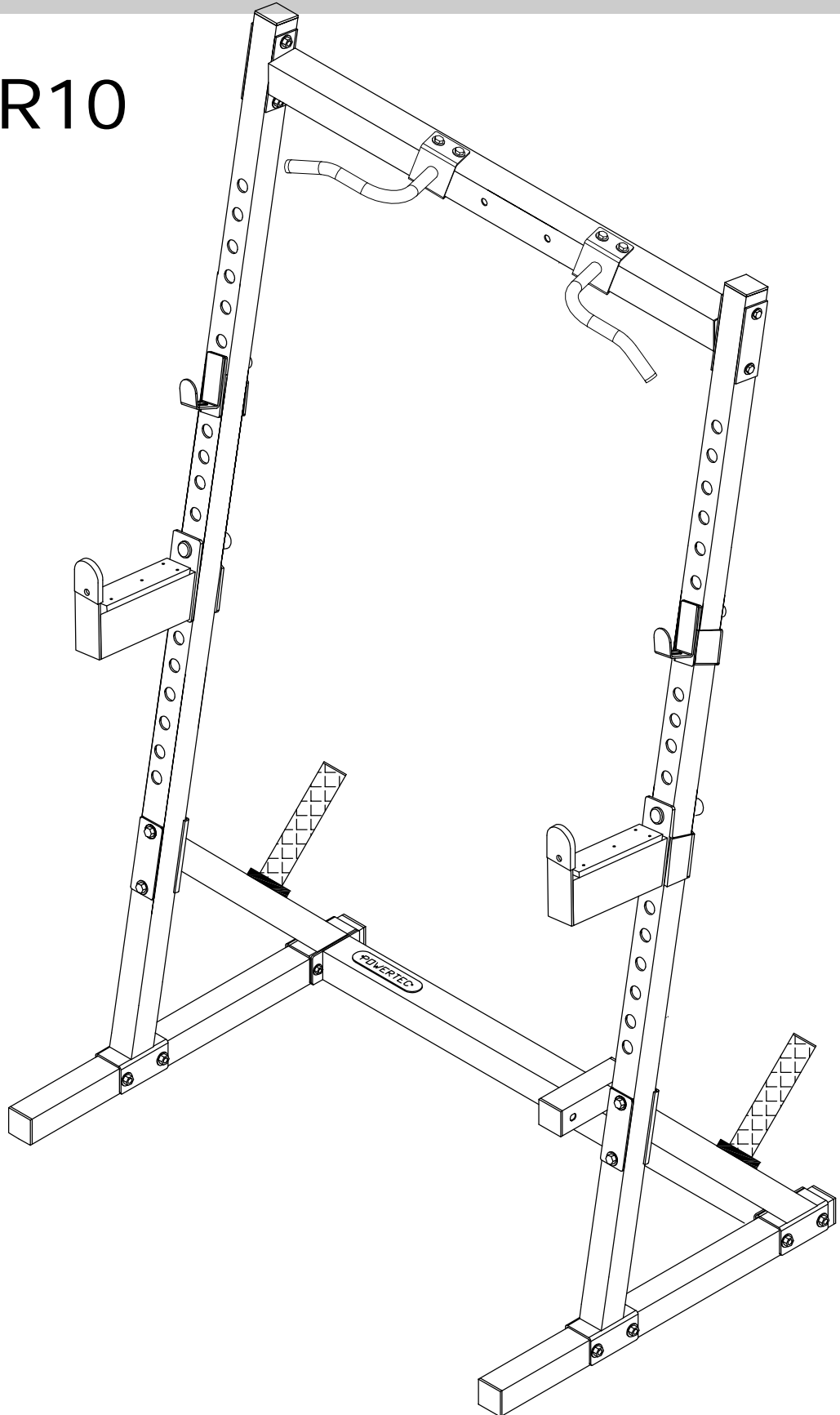


# POWERTEC®

## WORKBENCH

WB-HR10

Manual



Workbench Half Rack

" Please note: The numbers you may find on parts may not correlate to the assembly manual, these numbers are only to help ensure accurate packing. Warranty parts may differ slightly in appearance from originals, but the function will remain the same. "

# HARDWARE LIST



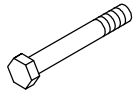
19 1/2"x8t(qty:2)



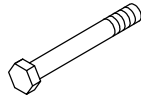
20 1/2"x16t(qty:22)



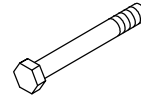
21  $\varnothing 14 \times \varnothing 28 \times 2t$ (qty:44)



22 1/2"x3-1/2"(qty:14)



23 1/2"x3-1/4"(qty:2)



24 1/2"x3-3/4"(qty:6)

POWERTEC<sup>®</sup>

WB-HR10

Workbench Half Rack

# PART LIST

Part	Description	QTY
1	Rear base tube	2
2	Tilted upright	2
3	Cross tube	2
4	Upper cross tube	1
5	Lower slide tube	2
6	Upper slide tube	2
7	Lower linkage tube	1
8	Base linkage tube	1
9	Linkage plate	2
10	Linkage plate	2
11	Handle bar	2
12	PVC tube	2
13	Round inner plug	2
14	PVC sleeve	2
15	Square inner plug	6
16	Bumper	2
17	Bumper	2
18	Plastic plate	2
19	Nylon nut	2
20	Nylon nut	22
21	Washer	44
22	1/2"×3-1/2" Half thread hex bolt	14
23	1/2"×3-1/4" Half thread hex bolt	2
24	1/2"×3-3/4" Half thread hex bolt	6
25	Screw	10
26	Rivet	2
27	Name plate	1

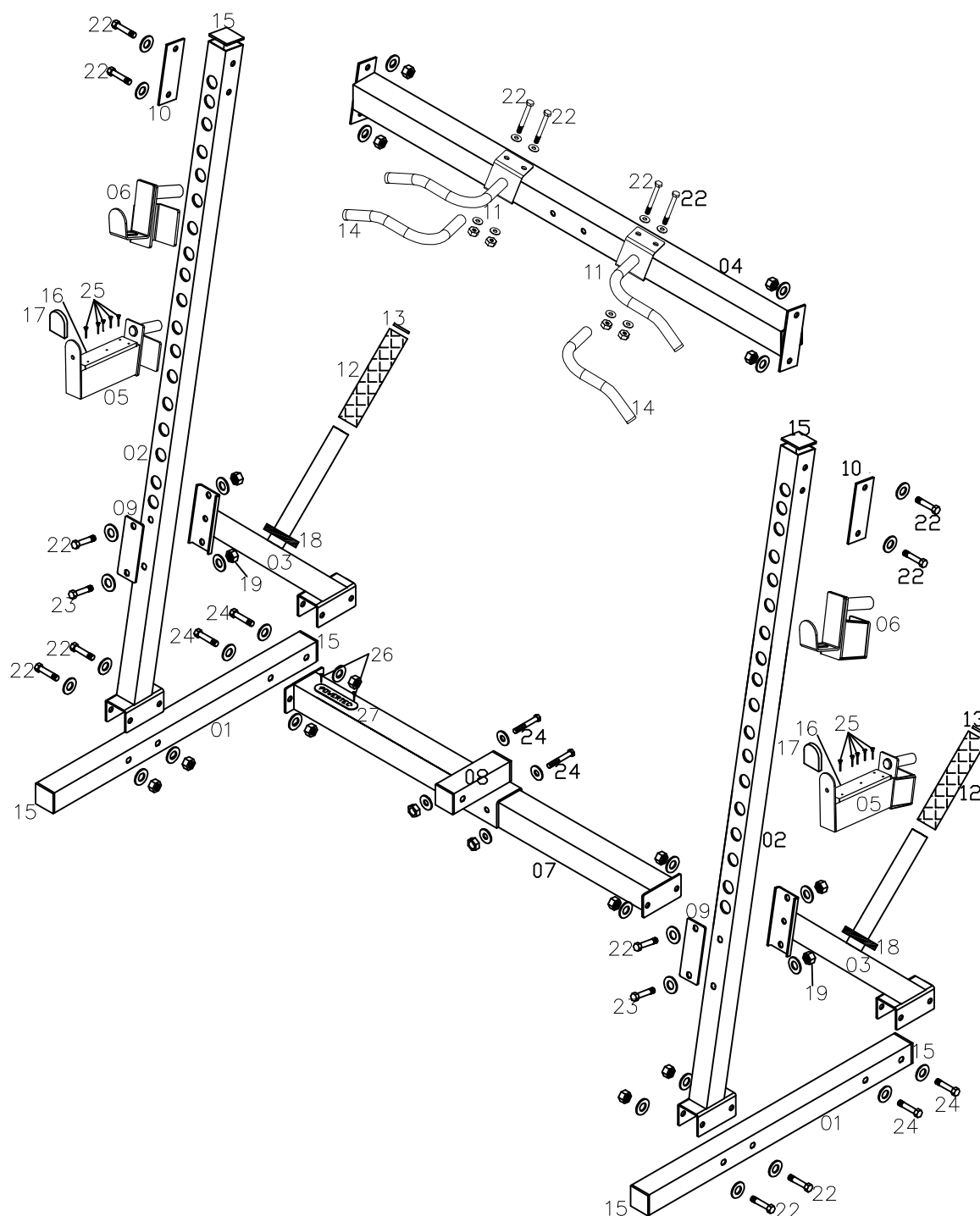
POWERTEC®

WB-HR10

Workbench Half Rack

# EXPLODED DIAGRAM

POWERTEC®



Remarks: All unmarked Washers are (21) and all unmarked Nylon Nuts are (20).

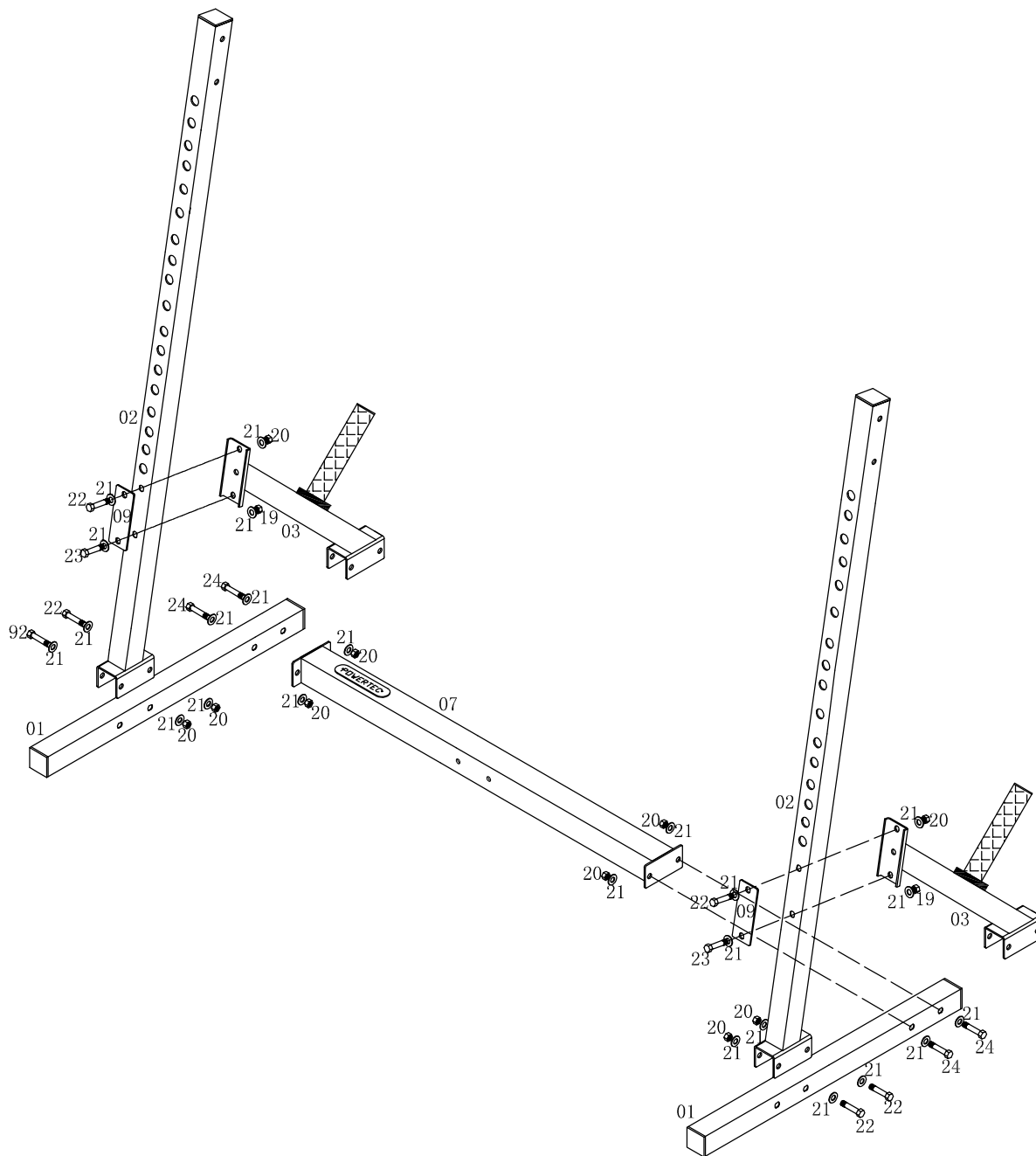
**WB-HR10**  
**Workbench Half Rack**

# ASSEMBLY ONE

**Note before beginning assembly:**

***Always insert all bolts through holes prior to tightening due to precision fit***

POWERTEC®

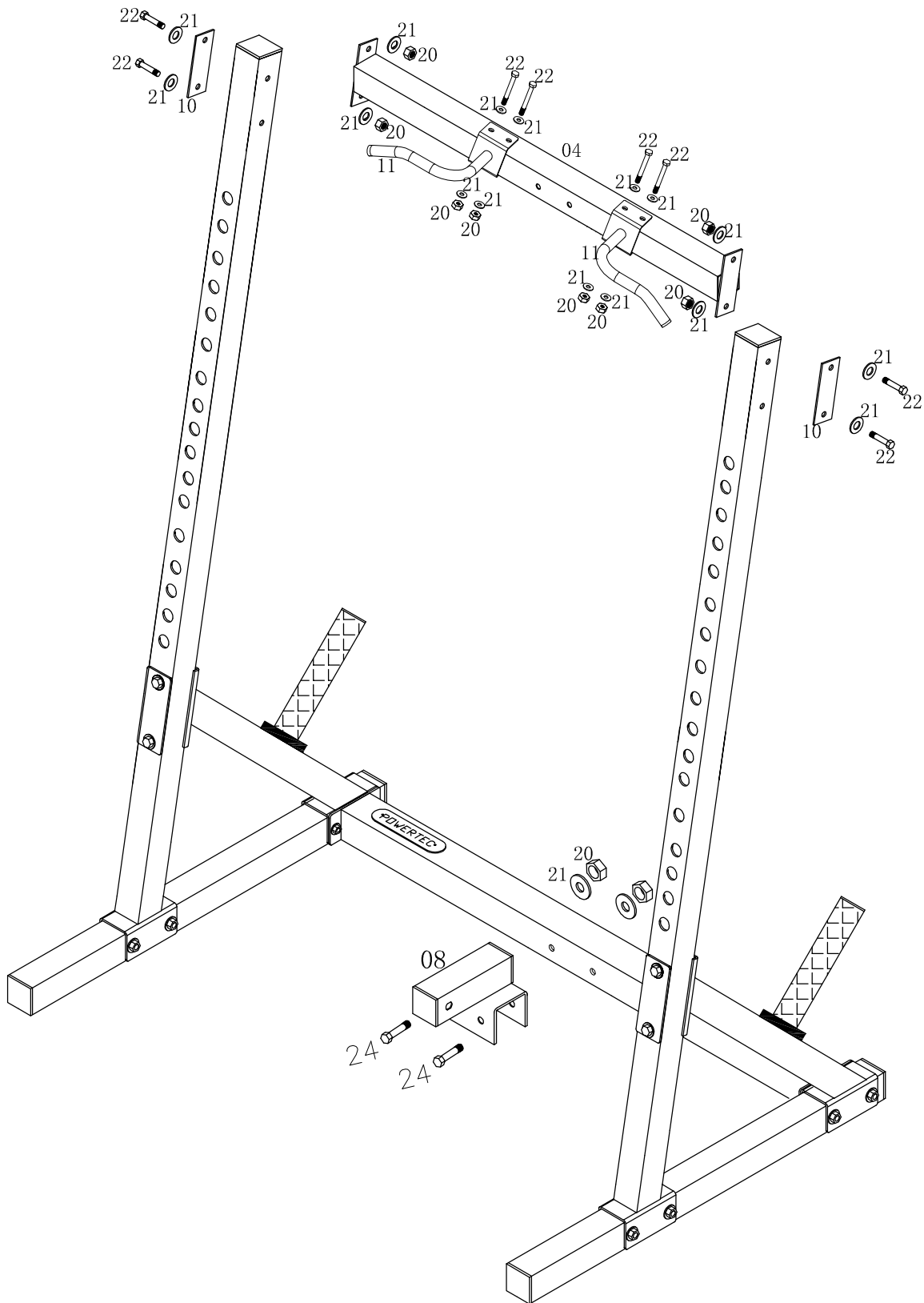


WB-HR10

Workbench Half Rack

# ASSEMBLY TWO

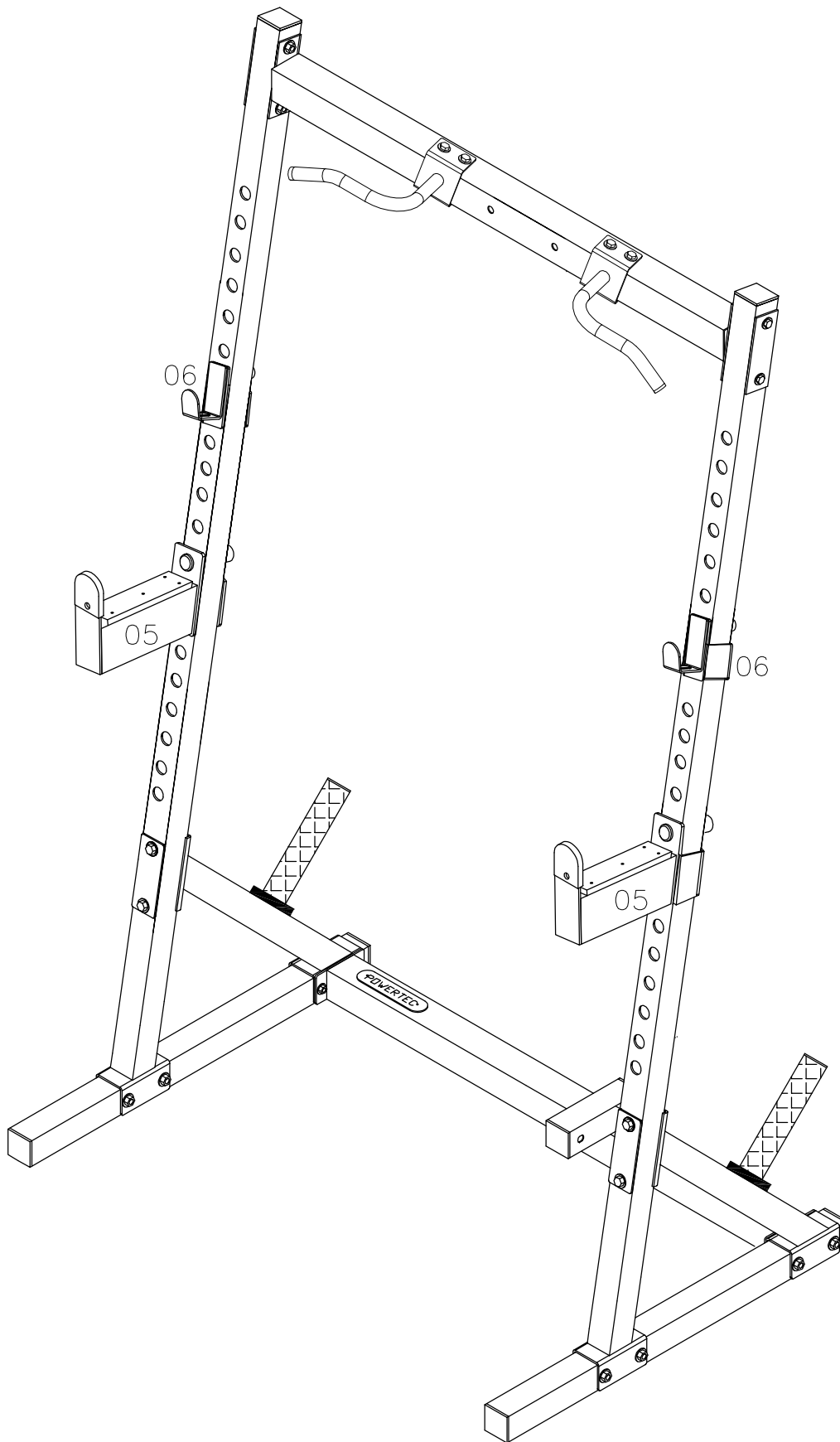
POWERTEC®



WB-HR10

Workbench Half Rack

# ASSEMBLY THREE



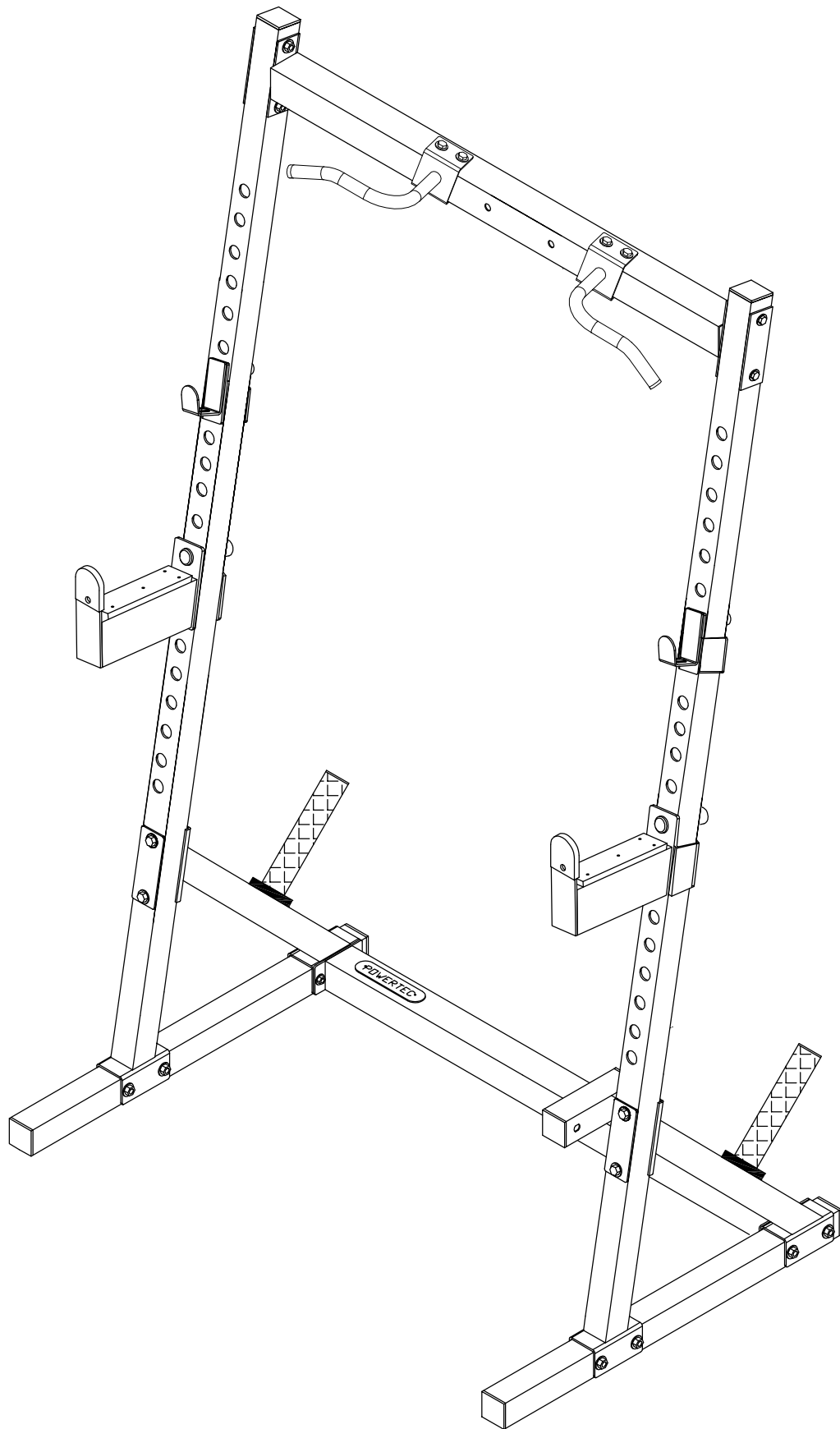
POWERTEC®

WB-HR10

Workbench Half Rack



# ASSEMBLY FOUR

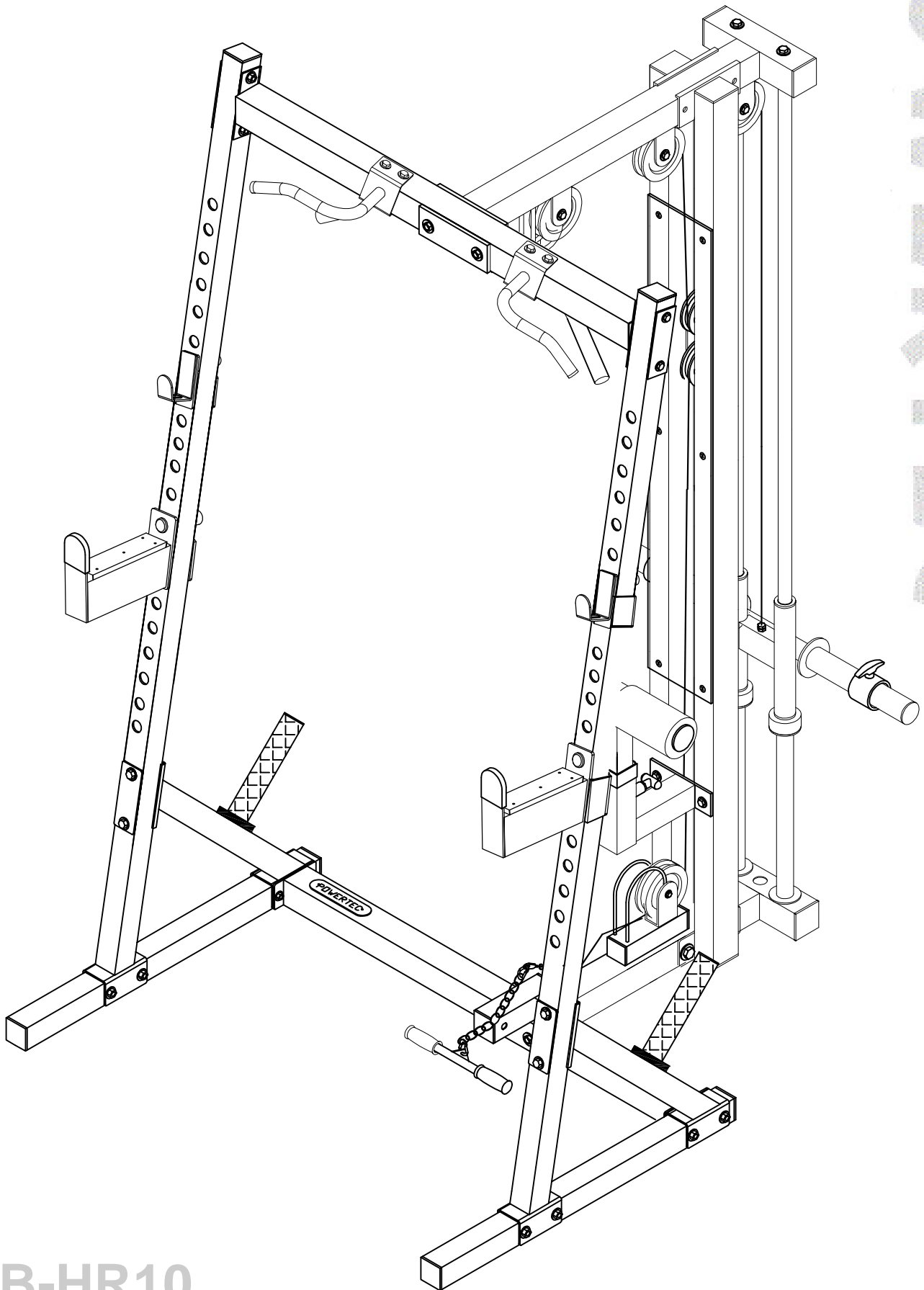


POWERTEC®

WB-HR10  
Workbench Half Rack

# ASSEMBLY FIVE

POWERTEC<sup>®</sup>



WB-HR10

Workbench Half Rack

**POWERTEC** IS NOT LIABLE IF THE TRAINER SHOULD INJURE THEMSELVES WHILE USING **POWERTEC** EQUIPMENT OR WHILE PERFORMING THE TRAINING ROUTINE

# **POWERTEC**<sup>®</sup>

## **WORKBENCH**

### **POWERTEC INC.**

601 W. Harford St. Milford  
PA 18337

Phone: (570) 296-5005

Fax: (570) 296-5009

[www.powertecfitness.com](http://www.powertecfitness.com)

LIMITED  
LIFETIME  
WARRANTY